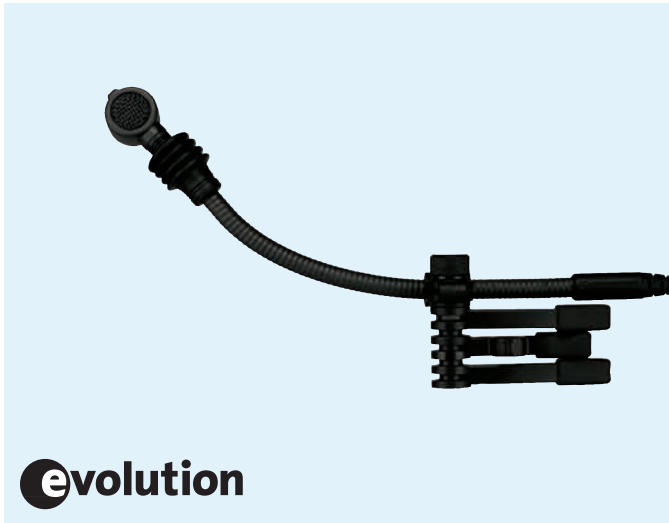


General Description

The e 608 is a super-cardioid microphone ideal for almost invisible clip-miking of woodwind, brass and drums. A newly developed clamp and gooseneck mounting enables the capsule to be positioned close to the signal source for high realism and high-level output.

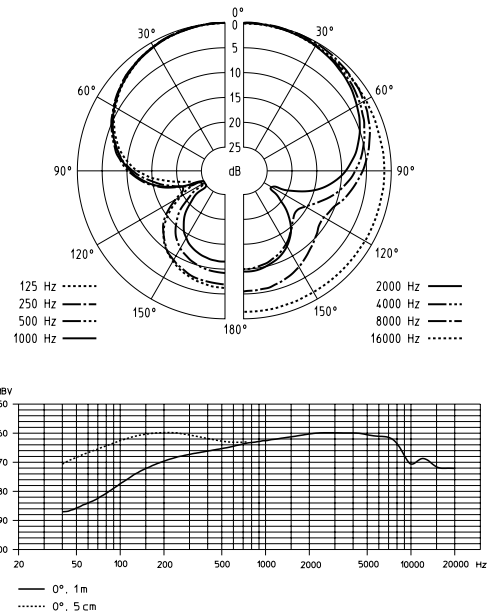


Technical Data

Transducer principle.....	dynamic
Pick-up pattern	super-cardioid
Frequency response	40 – 16,000 Hz
Sensitivity (free field, no load, 1 kHz).....	0.8 mV/Pa
Nominal impedance	250 Ω
Min. terminating impedance	1 kΩ
Dimensions	∅ 17 x 185 mm (∅ 0.67" x 7.28")
Weight	20 g (0.71 oz)

Features

- Rugged reinforced glass-fibre body
- Shock-mounted capsule provides low sensitivity to impact and handling noise
- Hum compensating coil
- Extremely robust connection cable with XLR connector
- Delivery includes: 1 e 608
 - 1 microphone clip
 - 1 pouch
 - 1 Instructions for use
 - 1 Warranty Certificate



Profile

Super-cardioid instrument microphone, hum compensating coil, frequency response 40 Hz – 16 kHz, sensitivity (free field, no load) 0.8 mV/Pa at 1 kHz, nominal impedance 250Ω, min. terminating impedance 1 kΩ, dimensions ∅ 17 x 185 mm (∅ 0.67" x 7.28"), weight 20 g (0.71 oz).